



# IM & CM Tanks



CAPITAL SEPTIC SUPPLY



INFILTRATOR  
water technologies



**INFILTRATOR**  
water technologies

# IM-540

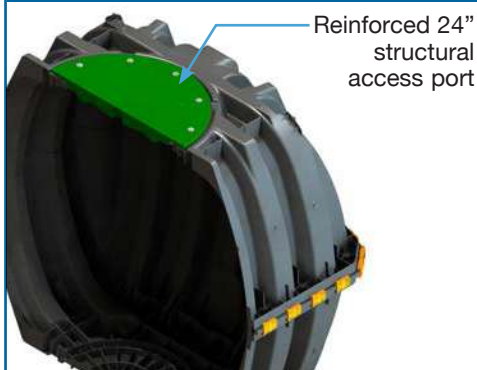


The Infiltrator IM-540 is a lightweight strong and durable septic/pump tank. This watertight tank design is offered with Infiltrator's line of custom-fit risers and heavy-duty lids. Infiltrator injection molded tanks provide a revolutionary improvement in plastic tank design, offering long-term exceptional strength and watertightness.

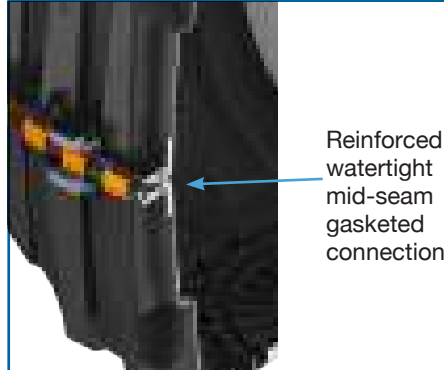
## Features & Benefits

- Strong injection molded polypropylene construction
- Lightweight plastic construction and inboard lifting lugs allow for easy delivery and handling
- Integral heavy-duty green lids that interconnect with TW™ risers and pipe riser solutions
- Structurally reinforced access ports eliminate distortion during installation and pump-outs
- Reinforced structural ribbing offers additional strength
- Can be installed with 6" to 48" of cover
- Can be pumped dry during pump-outs
- Suitable for use as a pump tank or rainwater (non-potable) tank
- No special installation, backfill or water filling procedures are required
- No special water filling requirements are necessary
- The tank may be backfilled with suitable native soil. See installation instructions for guidance.

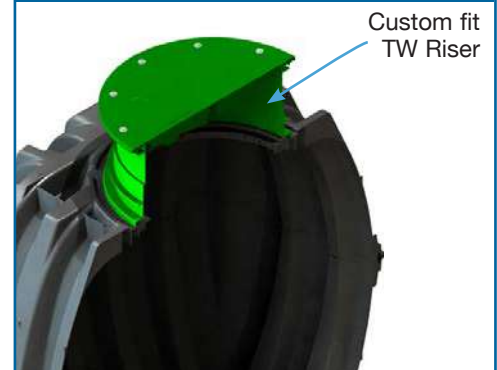
### TANK CUTAWAY



### MID-SEAM CUTAWAY



### RISER CUTAWAY



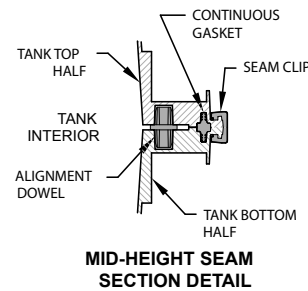
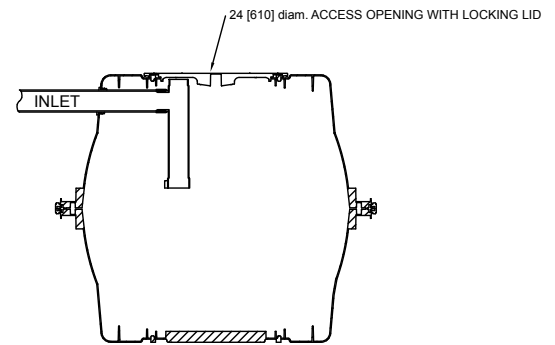
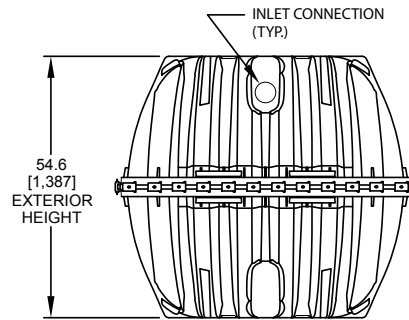
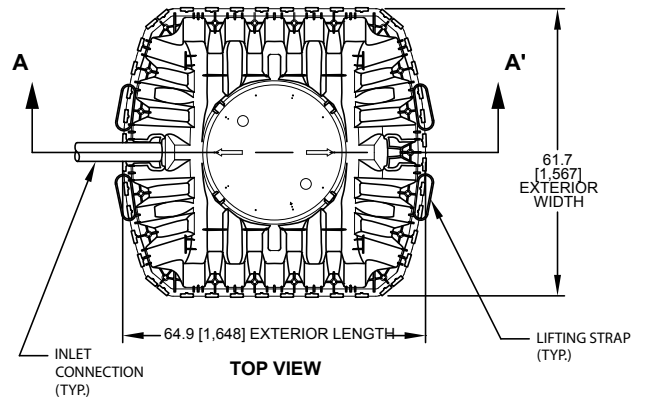
# IM-540 General Specifications and Illustrations

The IM-540 is an injection molded two piece mid-seam plastic tank. The IM-540 injection molded plastic design allows for a mid-seam joint that has precise dimensions for accepting an engineered EPDM gasket. Infiltrator's gasket design utilizes technology from the water industry to deliver proven means of maintaining a watertight seal. The two-piece design is permanently fastened using a series of non-corrosive plastic alignment dowels and locking seam clips. The IM-540 is assembled and sold through a network of certified Infiltrator distributors.

**Must be backfilled and installed in accordance with Infiltrator Water Technologies, Infiltrator IM-Series Septic Tank General Installation Instructions and for shallow ground water conditions reference the Infiltrator IM-Series Tank Buoyancy Control Guidance.**

**Please visit [www.infiltratorwater.com/images/pdf/ManualsGuides/TANK01.pdf](http://www.infiltratorwater.com/images/pdf/ManualsGuides/TANK01.pdf) for the latest information.**

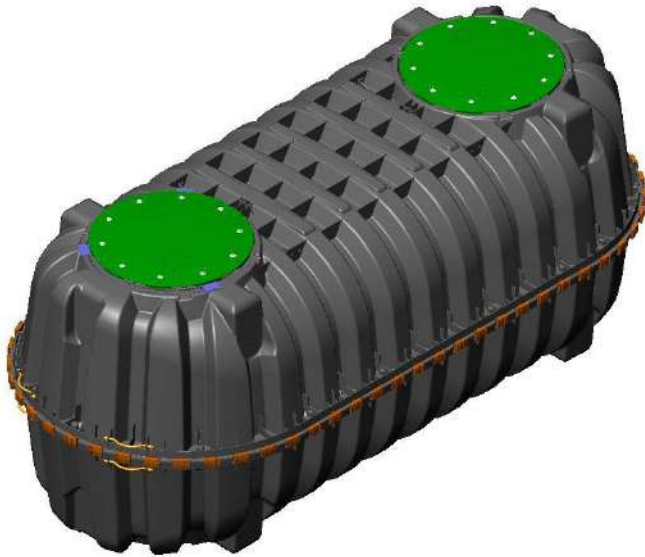
IM-540	
Total Capacity	552 gal (2090 L)
Length	64.9" (1648 mm)
Width	61.7" (1567 mm)
Height	54.6" (1387 mm)
Maximum Burial Depth	48" (1219 mm)
Minimum Burial Depth	6" (152 mm)
Maximum Pipe Diameter	4" (100 mm)
Weight	169 lbs (77 kg)





**INFILTRATOR**  
water technologies

# CM-1060

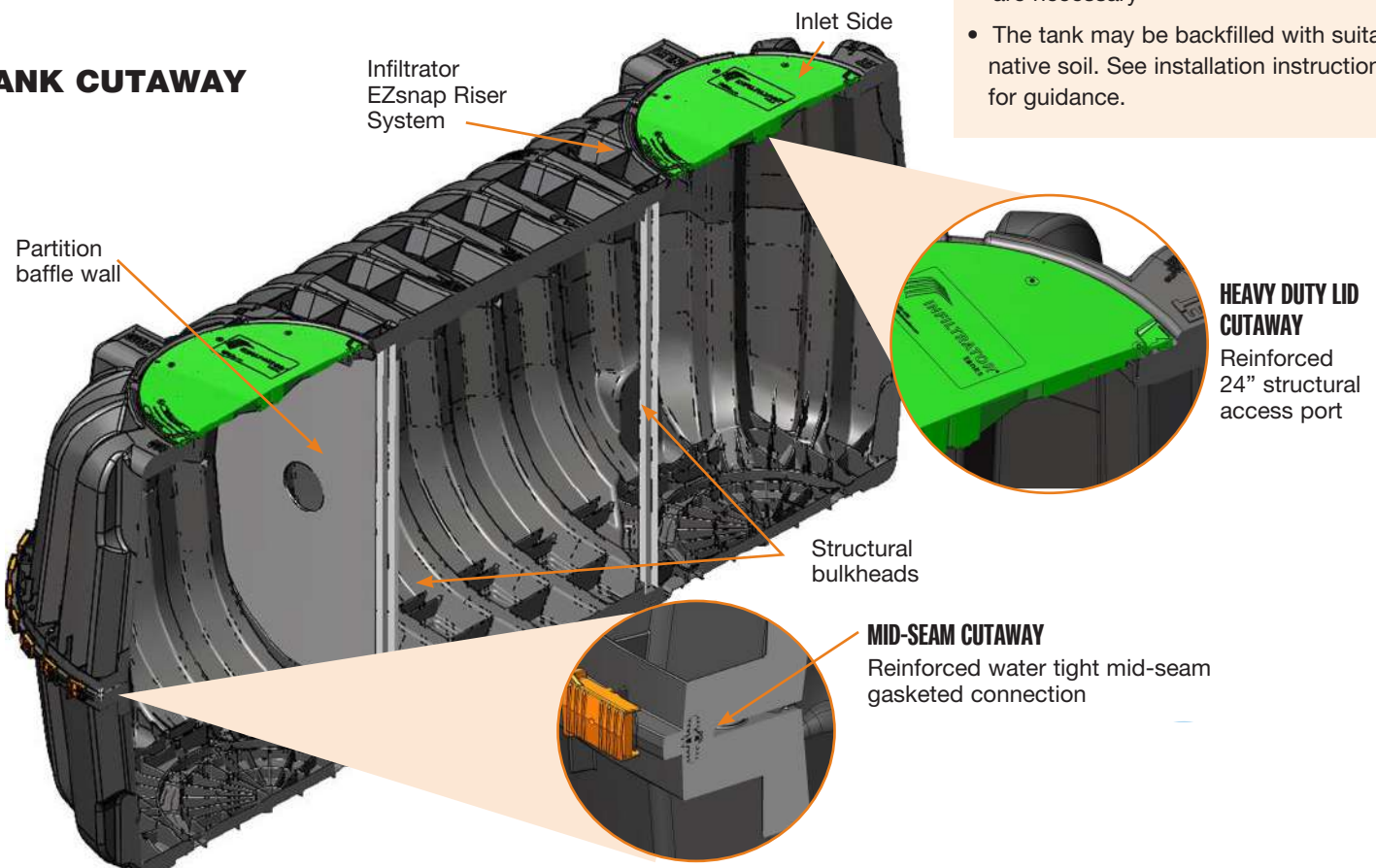


The Infiltrator CM-1060 is a lightweight, strong and durable septic tank. This watertight tank design is offered with Infiltrator's line of custom-fit risers and heavy-duty lids. Infiltrator compression molded tanks provide a revolutionary improvement in thermoplastic septic tank design, offering exceptional long-term strength and watertightness.

## Features & Benefits

- Strong compression molded polypropylene construction
- Lightweight plastic construction and inboard lifting lugs allow for easy delivery and handling
- Integral heavy-duty green lids that interconnect with EZsnap risers and pipe riser solutions
- Structurally reinforced access ports eliminate distortion during installation and pump-outs
- Reinforced structural ribbing and fiberglass bulkheads offer additional strength
- Can be installed with 6" to 48" (152 to 1,219 mm) of cover
- Can be pumped dry during pump-outs
- Suitable for use as a septic tank, pump tank, or rainwater (non-potable) tank
- No special water filling requirements are necessary
- The tank may be backfilled with suitable native soil. See installation instructions for guidance.

## TANK CUTAWAY



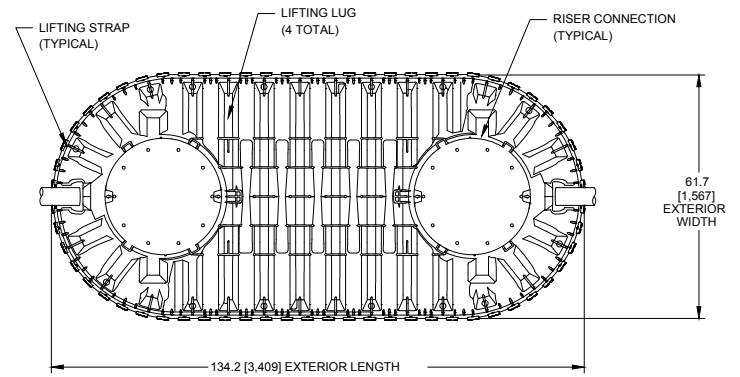
## CM-1060 General Specifications and Illustrations

The CM-1060 is a compression molded two-piece mid-seam thermoplastic tank. The CM-1060 compression molded design allows for a mid-seam joint that has precise dimensions for accepting an engineered EPDM gasket. Infiltrator's gasket design utilizes technology from the water industry to deliver proven means of maintaining a watertight seal. The two-piece design is permanently fastened using a system of molded-in alignment dowels and locking seam clips. The CM-1060 is assembled and sold through a network of certified Infiltrator distributors.

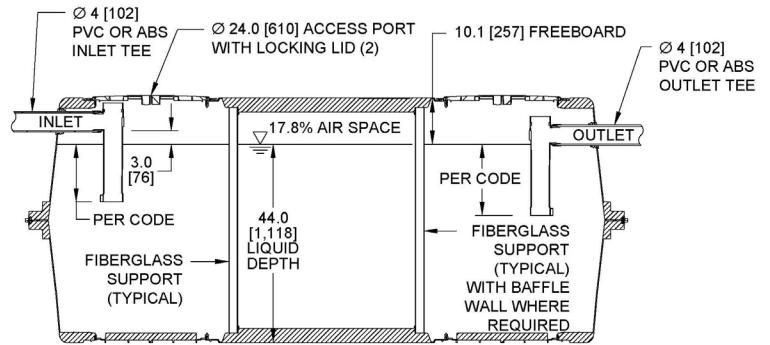
**Must be backfilled and installed in accordance with the Infiltrator IM- and CM-Series Septic Tank General Installation Instructions. For shallow ground water conditions reference the Infiltrator IM- and CM-Series Tank Buoyancy Control Guidance.**

Please visit [www.infiltratorwater.com/images/pdf/ManualsGuides/TANK01.pdf](http://www.infiltratorwater.com/images/pdf/ManualsGuides/TANK01.pdf) for the latest information.

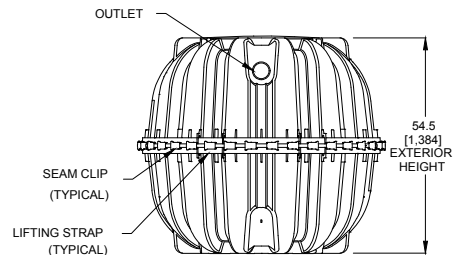
CM-1060	
Working Capacity	1,111 gal (4,207 L)
Total Capacity	1,309 gal (4,956 L)
Airspace	17.8%
Length	134.2" (3,409 mm)
Width	61.7" (1,567 mm)
Length-to-Width Ratio	2.3 to 1
Height	54.5" (1,384 mm)
Liquid Level	44" (1,118 mm)
Invert Drop	3" (76 mm)
Fiberglass Supports	2
Compartments	1 or 2
Maximum Burial Depth	48" (1,219 mm)
Minimum Burial Depth	6" (152 mm)
Maximum Pipe Diameter	4" (102 mm)
Weight	331 lbs (151 kg)



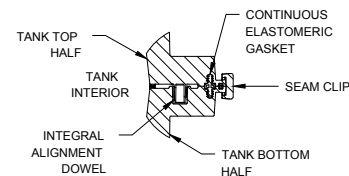
**TOP VIEW**



**SIDE VIEW**



**END VIEW**

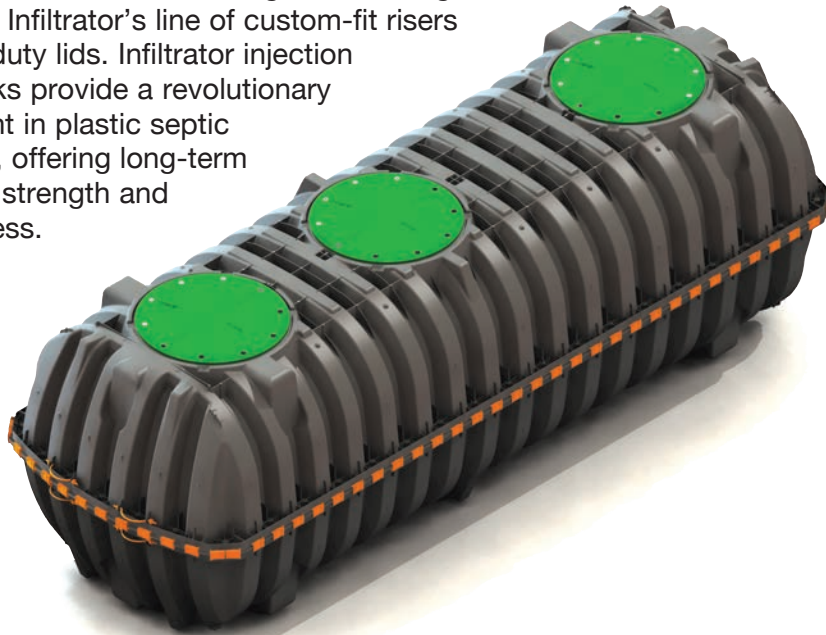


**MID-HEIGHT SEAM SECTION**





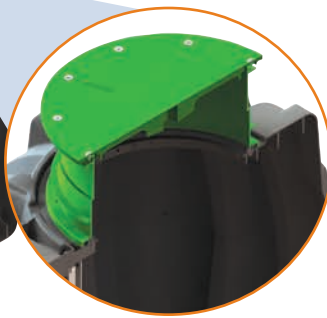
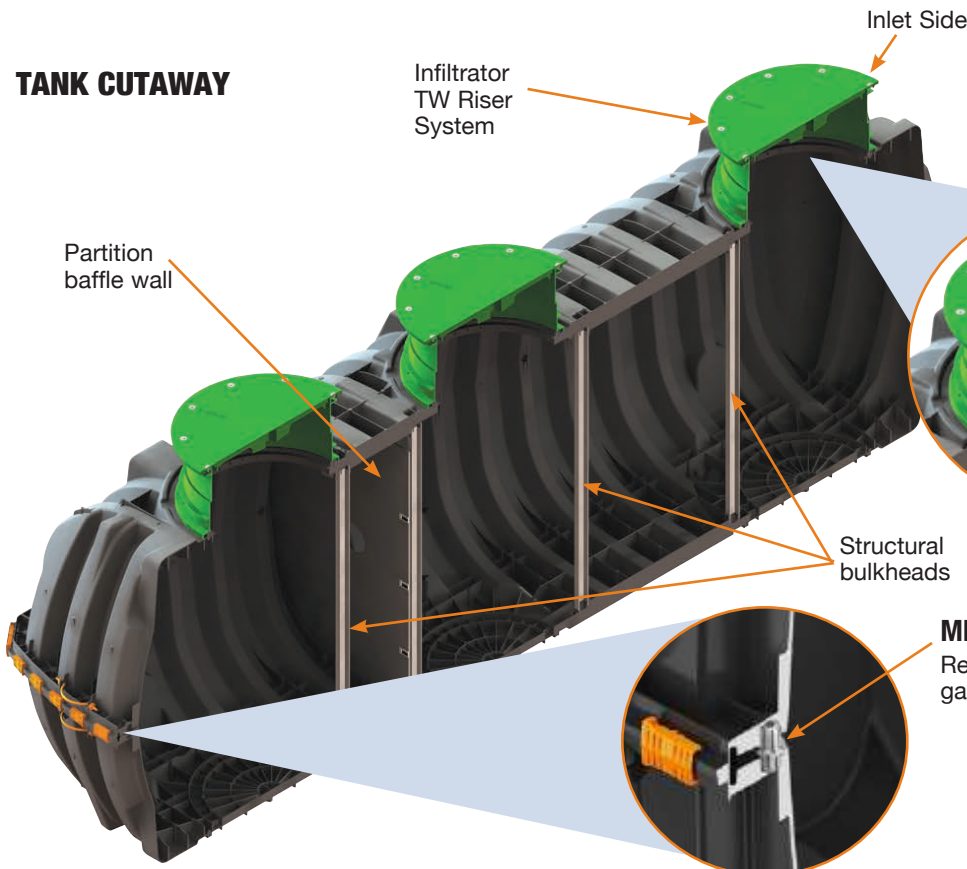
The Infiltrator IM-1530 is a lightweight strong and durable septic tank. This watertight tank design is offered with Infiltrator's line of custom-fit risers and heavy-duty lids. Infiltrator injection molded tanks provide a revolutionary improvement in plastic septic tank design, offering long-term exceptional strength and watertightness.



## Features & Benefits

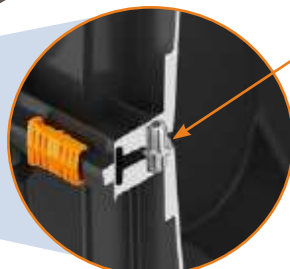
- Strong injection molded polypropylene construction
- Lightweight plastic construction and inboard lifting lugs allow for easy delivery and handling
- Integral heavy-duty green lids that interconnect with TW™ risers and pipe riser solutions
- Structurally reinforced access ports eliminate distortion during installation and pump-outs
- Reinforced structural ribbing and fiberglass bulkheads offer additional strength
- Can be installed with 6" to 48" of cover
- Can be pumped dry during pump-outs
- Suitable for use as a septic tank, pump tank, or rainwater (non-potable) tank
- No special water filling requirements are necessary
- The tank may be backfilled with suitable native soil. See installation instructions for guidance.

### TANK CUTAWAY



### HEAVY DUTY LID CUTAWAY

Reinforced 24" structural access port



### MID-SEAM CUTAWAY

Reinforced water tight mid-seam gasketed connection



# IM-1530 General Specifications and Illustrations

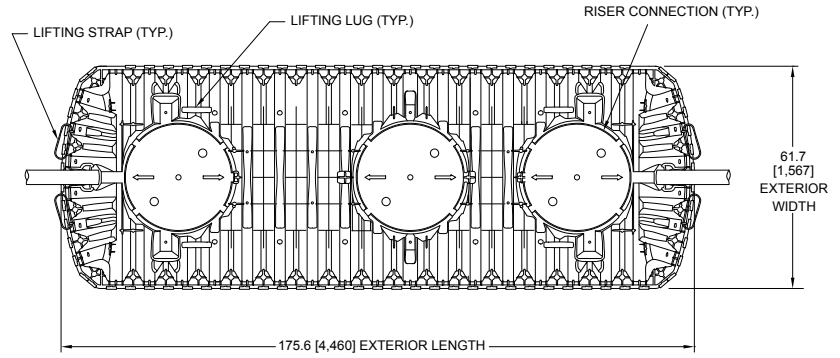
The IM-1530 is an injection molded two piece mid-seam plastic tank. The IM-1530 injection molded plastic design allows for a mid-seam joint that has precise dimensions for accepting an engineered EPDM gasket. Infiltrator's gasket design utilizes technology from the water industry to deliver proven means of maintaining a watertight seal.

The two-piece design is permanently fastened using a series of non-corrosive plastic alignment dowels and locking seam clips. The IM-1530 is assembled and sold through a network of certified Infiltrator distributors.

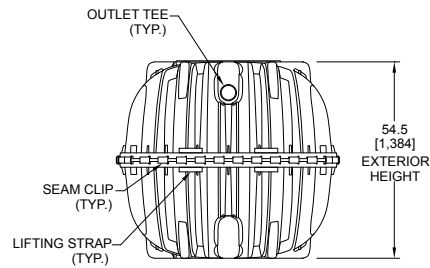
**Must be backfilled and installed in accordance with Infiltrator Water Technologies, Infiltrator IM-Series Septic Tank General Installation Instructions and for shallow ground water conditions reference the Infiltrator IM-Series Tank Buoyancy Control Guidance.**

Please visit [www.infiltratorwater.com/images/pdf/ManualsGuides/TANK01.pdf](http://www.infiltratorwater.com/images/pdf/ManualsGuides/TANK01.pdf) for the latest information.

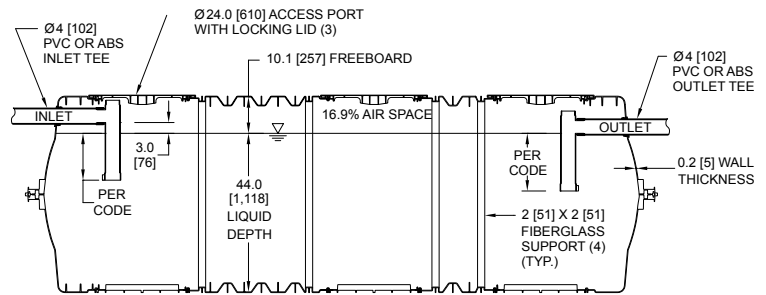
IM-1530	
Working Capacity	1537 gal (5818 L)
Total Capacity	1787 gal (6765 L)
Airspace	16.9%
Length	176" (4460 mm)
Width	62" (1567 mm)
Length-to-Width Ratio	2.8 to 1
Height	55" (1384 mm)
Liquid Level	44" (1118 mm)
Invert Drop	3" (76 mm)
Fiberglass Supports	4
Compartments	1 or 2
Maximum Burial Depth	48" (1219 mm)
Minimum Burial Depth	6" (152 mm)
Maximum Pipe Diameter	4" (100 mm)
Weight	501 lbs (228 kg)



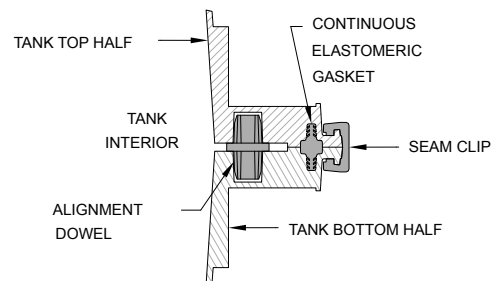
**TOP VIEW**



**END VIEW**



**SIDE VIEW**



**MID-HEIGHT SEAM SECTION**



*CAPITAL SEPTIC SUPPLY*



**INFILTRATOR**  
water technologies