



GRINDER PUMPS



CAPITAL SEPTIC SUPPLY





Physical Data:

DISCHARGE SIZE	1-1/4" NPT + Flanged Horizontal with Vertical Adapter
IMPELLER TYPE	10-Vane, Noryl™
CABLE LENGTH	20' Standard, 35' Optional

Liquid Handling:

SOLIDS COMPOSITION	Domestic Wastewater with Fibrous Solids
MAXIMUM LIQUID TEMP.	140°F – Intermittent 104°F - Continuous
ACCEPTABLE PH RANGE	6-8

Temperature:

WINDING INSULATION	145°C
INSULATION CLASS	H

Technical Data:

SENSOR CORD TYPE	14AWG/3C (1PH)
MOTOR HOUSING	Cast Iron
CASING	Cast Iron
IMPELLER	Noryl™
MOTOR SHAFT	416 SST
HARDWARE	SS
"O" RINGS	BUNA-N™
MECHANICAL SEALS	Carbon/Ceramic
UPPER BEARING	6303
LOWER BEARING	6205
CUTTERS	440 SS- Case Hardened 58-60 Rockwell

Electrical Data:

R.P.M.	3450
MOTOR TYPE	CSCR (1PH)
GEN INSULATION CLASS	H
STATOR WINDING CLASS	H
WINDING INSULATION TEMP	180°C
VOLTAGE TOLERANCE	±10%
HP	2
VOLTAGE	230
PHASE	1
SERVICE FACTOR	1.42



Hybrid Cutters
440 SST, Hardened
PATENTED
(U.S. Patent No.
10,316,846)



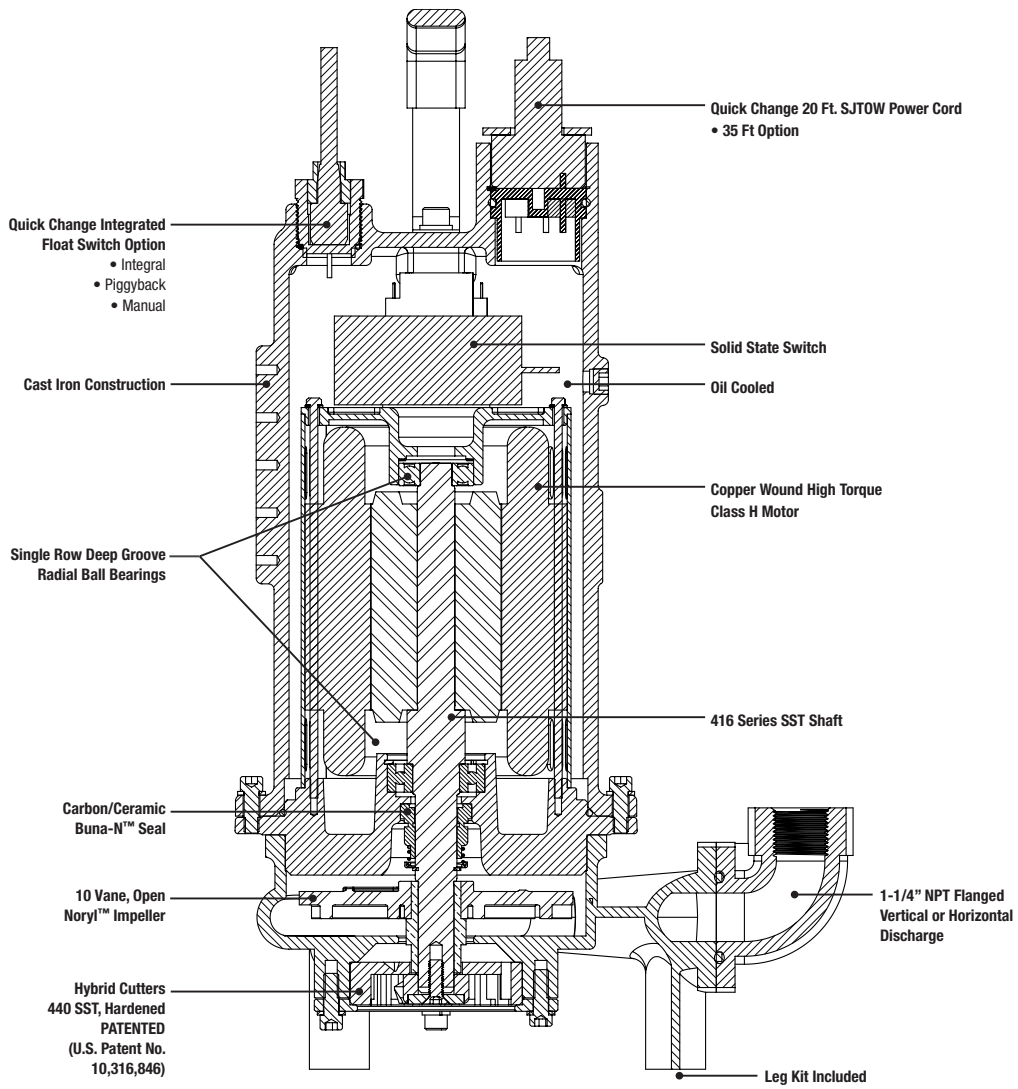
Leg Kit Included



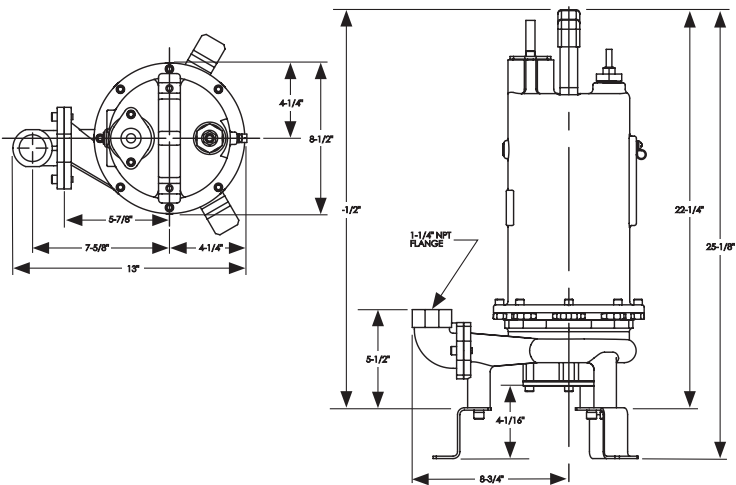
Optional:

- Manual with 20' & 35' Cord Lengths
- 3" Integral switch
- 20' & 35' Piggyback Wide Angle Switch

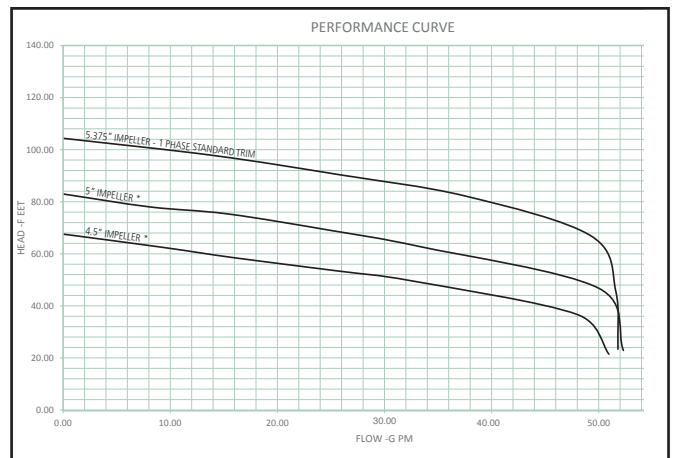
MODEL	HP	HZ	VOLTS/PH	RPM	FULL LOAD AMPS	NEMA START CODE	CORD TYPE	CORD SIZE	CORD OD	SOLID STATE RELAY	START CAPACITOR	RUN CAPACITOR	SWITCH TYPE
AGPR200M2-20	2	60	230/1	3450	15	G	SJTOW	14 AWG/3C	.36-.37	SAMUSCO ECS225P	MARS 11068	MARS 12248	N/A
AGPR200M2-35	2	60	230/1	3450	15	G	SJTOW	14 AWG/3C	.36-.37	SAMUSCO ECS225P	MARS 11068	MARS 12248	N/A
AGPR200W2-20	2	60	230/1	3450	15	G	SJTOW	14 AWG/3C	.36-.37	SAMUSCO ECS225P	MARS 11068	MARS 12248	INTEGRAL
AGPR200W2-35	2	60	230/1	3450	15	G	SJTOW	14 AWG/3C	.36-.37	SAMUSCO ECS225P	MARS 11068	MARS 12248	INTEGRAL
AGPR200WP2-20	2	60	230/1	3450	15	G	SJTOW	14 AWG/3C	.36-.37	SAMUSCO ECS225P	MARS 11068	MARS 12248	PIGGY-BACK
AGPR200WP2-35	2	60	230/1	3450	15	G	SJTOW	14 AWG/3C	.36-.37	SAMUSCO ECS225P	MARS 11068	MARS 12248	PIGGY-BACK



Dimensions



Performance Curve





CAPITAL SEPTIC SUPPLY

The logo is set against a dark blue background that has a curved, wave-like shape on the left side. The word 'Ashland' is written in a white, italicized serif font inside a white oval. Below it, the word 'PUMP' is written in a white, all-caps sans-serif font.

Ashland
PUMP