



## Drip-Tech

CAPITAL SEPTIC SUPPLY

  
JNM TECHNOLOGIES, INC.  
WATER RESOURCE SOLUTIONS



## ACT 100S Vault Enclosure for Wastewater Drip Dispersal

### Product Advantages

- Self-cleaning filter for low flow applications
- Corrosion-free plastic filter and manifold
- Above ground or buried installation on self supporting base
- Freeze protection available
- Uses proven **RING DISC FILTRATION TECHNOLOGY**.
- Filtration level easily changed by replacing disc rings with desired mesh size.
- Wrap around compact design
- Uses internal water supply for backflush
- Low back flushing flow rates (12-15 gpm)
- Up to three internally controlled irrigation zones

### Applications

- Ideally suited for Residential, Light Industrial and Commercial Subsurface Drip Dispersal of Treated Effluent

### Water Sources

- Primary and secondary treated domestic strength wastewater

## Specifications

Inlet: 1 1/4"  
 Outlet: 1"  
 Flush Return: 1"  
 Maximum Operating Pressure: 100 psi  
 Minimum Pressure for Back flush: 40 psi  
 Minimum Flow for Back flush: 12 GPM

ACT DISTRIBUTOR:  
 JNM TECHNOLOGIES, INC.  
 PO Box 5667  
 Bryan, TX 77805-5667  
 979-779-6500  
 979-779-6505 fax  
 jnm@jnmtechnologies.com

## Materials of Construction

### **Valves:**

Nuts, bolts and washers: 304 Stainless Steel  
 Valve Body: Glass Reinforced Polyamide  
 Spring: Stainless Steel AISI 302  
 Diaphragm: Natural Rubber  
 Solenoids: 24 VAC (other voltages available upon request)

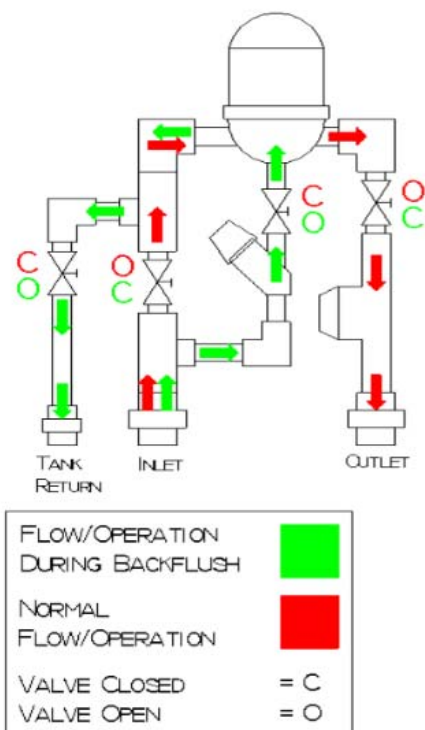
### **Filter:**

Modified 1" Standard Manual Filter  
 Filter Body and Disc Spine: Reinforced Polyamide, PVC and Polycarbonate  
 Disc Rings: Polypropylene and Polyethylene (upon request)  
 O-Rings: EPDM Rubber

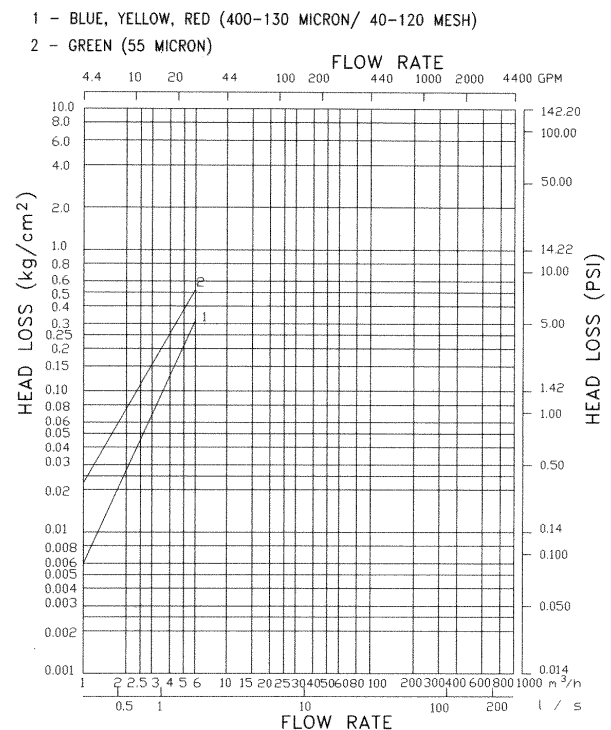
### **Options:**

Pulsed Reed Switch output Flowmeter  
 Manual or Automatic Field Flush  
 Freeze Protection

### Flow Diagram



### Filter Pressure Losses





## Round Riser Filtration System for Wastewater Drip Dispersal

### Product Advantages

- Self-cleaning filter for low flow applications
- Corrosion-free plastic filter and manifold
- Over tank or remote mounting available
- Pump can be removed with filter in place
- Freeze protection available
- Uses proven **RING DISC FILTRATION TECHNOLOGY**.
- Filtration level easily changed by replacing disc rings with desired mesh size.
- Wrap around compact design
- Uses internal water supply for backflush
- Low back flushing flow rates (12-15 gpm)
- Up to two internally controlled irrigation zones

### Applications

- Ideally suited for Residential, Light Industrial and Commercial Subsurface Drip Dispersal of Treated Effluent

### Water Sources

- Primary and secondary treated wastewater

## Specifications

Inlet: 1 1/4"  
 Outlet: 1"  
 Flush Return: 1"  
 Maximum Operating Pressure: 100 psi  
 Minimum Pressure for Back flush: 40 psi  
 Minimum Flow for Back flush: 12 GPM

ACT DISTRIBUTOR:  
 JNM TECHNOLOGIES, INC.  
 PO Box 5667  
 Bryan, TX 77805  
 979-779-6500  
 979-779-6505fax  
 jnm@jnmtechnologies.com

## Materials of Construction

### Valves:

Nuts, bolts and washers: 304 Stainless Steel  
 Valve Body: Glass Reinforced Polyamide  
 Spring: Stainless Steel AISI 302  
 Diaphragm: Natural Rubber  
 Solenoids: 24 VAC (other voltages available upon request)

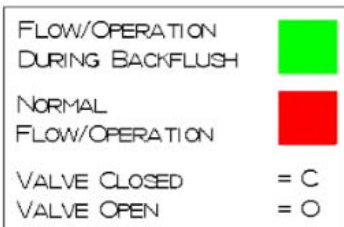
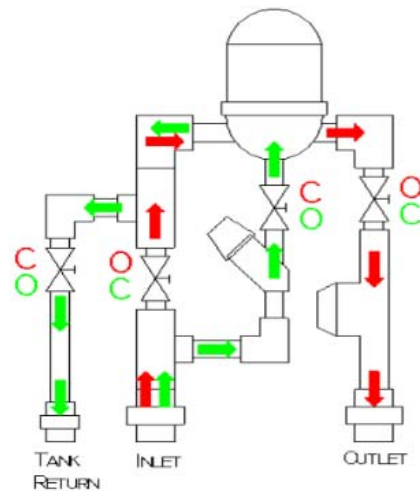
### Filter:

Modified 1" Standard Manual Filter  
 Filter Body and Disc Spine: Reinforced Polyamide, PVC and Polycarbonate  
 Disc Rings: Polypropylene and Polyethylene (upon request)  
 O-Rings: EPDM Rubber

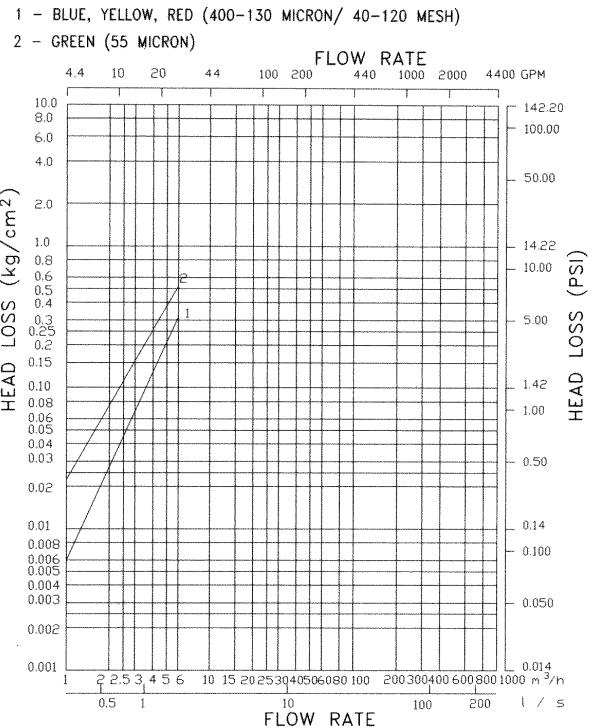
### Options:

Over tank mounting  
 Pulsed Reed Switch output Flowmeter  
 Manual or Automatic Field Flush  
 Freeze Protection

### Flow Diagram



### Filter Pressure Losses





## Water Source

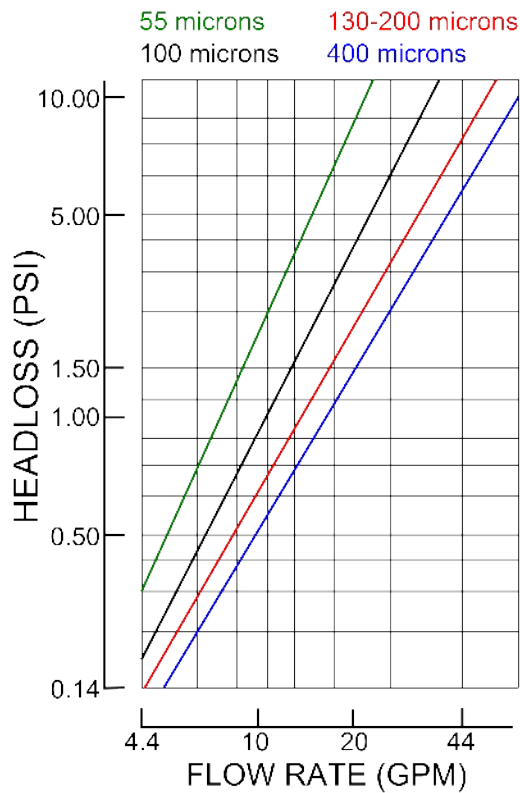
- Well Water
- Surface Water
- City water supplies
- Primary and secondary strength waste water

## Advantages

- Capable of using internal and external sources of backflush water
- Uses proven **RING DISC FILTRATION TECHNOLOGY**
  - Self-cleaning filter for low flow applications (1-40 GPM)
  - Requires low back flushing flow rates (12-15 GPM)
  - Corrosion-free plastic filter, manifold, and stand
  - Compact design ready for immediate hookup
  - Easily change filtration level by replacing disc rings with desired micron level (400-20 microns)

## Applications

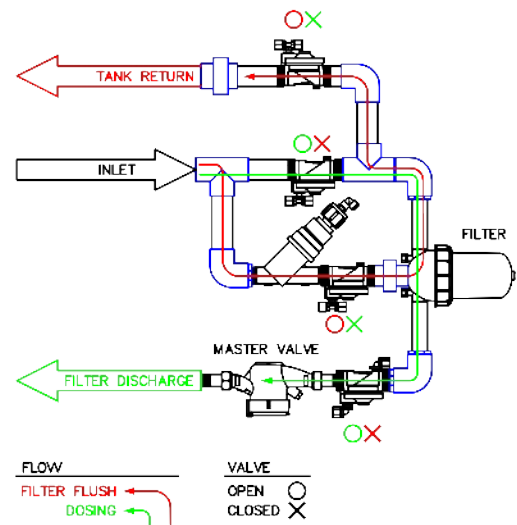
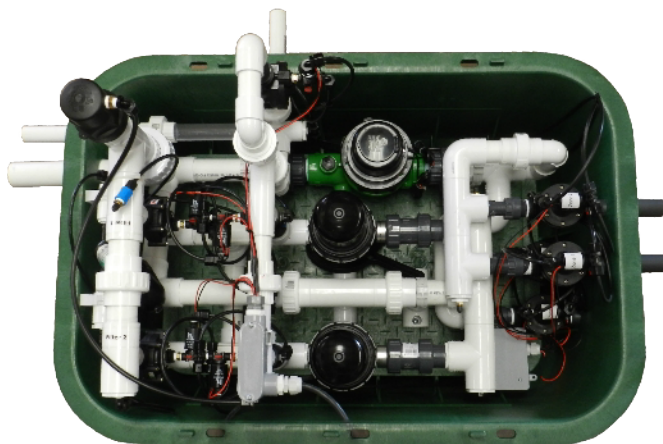
- Suited for Residential, Light Industrial and Commercial Use
  - HVAC
  - Potable water treatment systems
  - Wastewater treatment and reuse
- Landscapes
  - Micro-irrigation in isolated landscaped settings
  - Subsurface drip irrigation of turf grass areas
  - Tree and shrub systems
- Greenhouse and Nursery Irrigation
  - Micro sprinklers and drippers
  - Mister systems



- Max Operating Pressure — 100 PSI
- Min Pressure for Backflush — 40 PSI
- Min Flow for Backflush — 12 GPM
- Dimensions — 41" x 28" x 39"
- Flow Range — 20-60 GPM
- Flush Return — 1"
- Inlet — 1½"
- Outlet — 1½"

## Components

- Our Patented ACT Backflush Filter
- Arad Flow Meter with Master Valve
- PVC Sch. 40 Manifold Piping
- Baccara Solenoids
- Dorot Valves





CAPITAL SEPTIC SUPPLY



JNM TECHNOLOGIES, INC.  
WATER RESOURCE SOLUTIONS